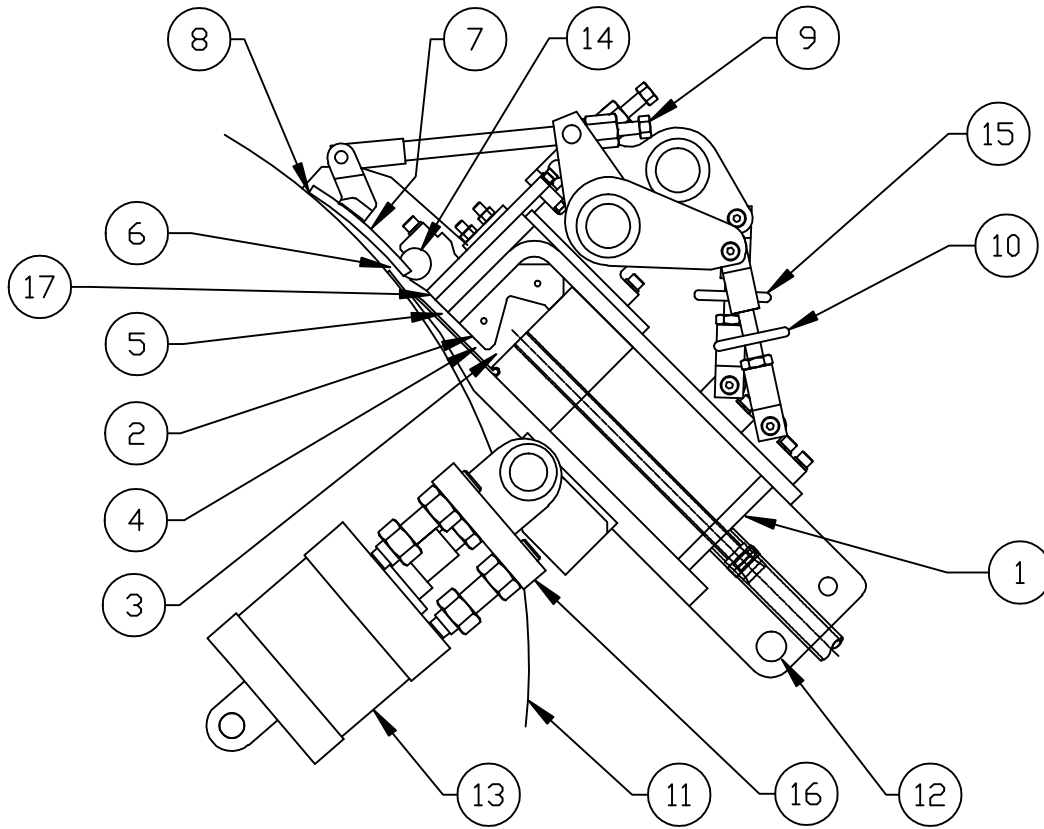


SECTION III
FORMER ELEMENTS & PASSAGES
MODEL HP 2100VTKR



HORNE VT PRESSURE FORMER
WITH RADIAL INLET

1	TUBE BANK
2	ZEE BAFFLE
3	CONVERGING ENTRANCE OF DIFFUSER
4	STRAIGHT CENTER OF DIFFUSER
5	DIVERGING END OF DIFFUSER
6	THROAT
7	LID
8	LID TIP
9	FINE LID TIP ADJUSTING SCREWS
10	LID ENCLOSURE ADJUSTMENT
11	CYLINDER MOULD
12	FORMER PIVOT PIN
13	AIR CYLINDER
14	LID KNUCKLE
15	VARIABLE THROAT ADJUSTMENT
16	3 POINT POSITIVE ADJ. STOPS
17	VT PLATE